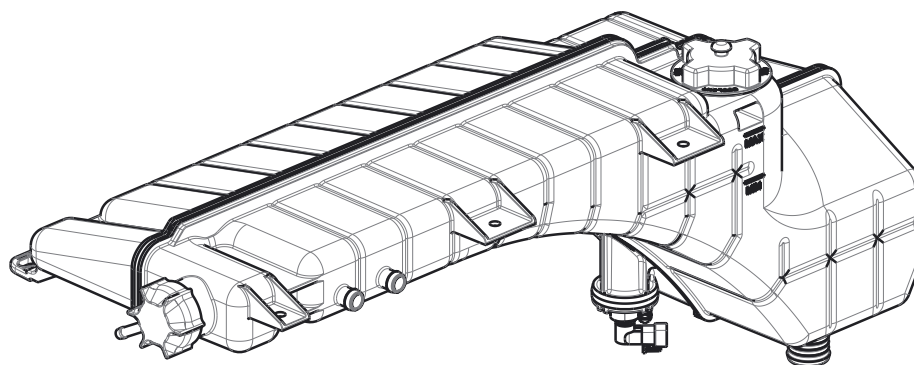




# VOLVO GENUINE EXPANSION TANK

Stay cool. Stay genuine.



## OVERVIEW

The coolant expansion tank, also known as a surge tank, is a critical component in the engine cooling ecosystem. The tank serves as both the entry point and reservoir for the coolant itself. With coolant temperatures that fluctuate near 200 degrees Fahrenheit, the expansion tank provides a space for the pressurized air and liquid to expand and contract safely while supplying the engine and related components the critical elixir to keep your truck working for you.

## FEATURES AND ADVANTAGES

- The unique modular design of the Volvo original engineered part is a precise fit
- Plastic material is pressure and temperature resistant
- Includes coolant level sensor to indicate when too low
- Designed to withstand heavy duty and harsh operating conditions (anti-vibration)
- Advance flow control to reduce unwanted air bubbles in the coolant

## MODELS

Fits on all VN, VHD models

## PART NUMBER

23059017

## PURCHASING

Available through your nearest Volvo Dealership

